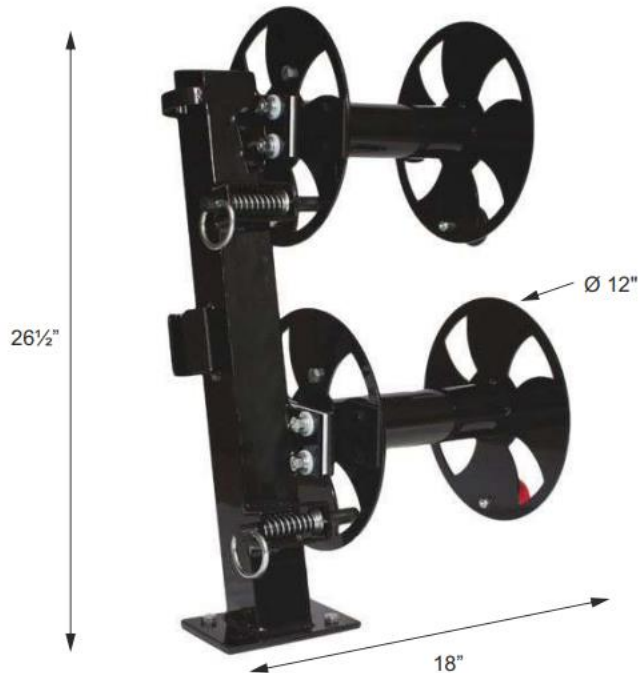


**Mode: ASCRFBD12T**



# ASCRFBD12T

**Revolution 12" Double Cable Reels  
with fixed base, 12° Tilt**

## Features

- Revolution 12" Double Cable Reels with fixed base, 12° Tilt
- Ball bearing spools
- Heavy duty construction
- Heavy duty powder coat paint job
- Easy locking pin design
- Easily fits 150' of 1/0 cable & 125' of 2/0 cable
- Keeps the Welder connected to power as you reel the leads in and out
- Utilized in Maintenance, Repair & Operations, Manufacturing Plants & Facilities, Welding/Service Trucks, Welding Shops, Automotive & Fleet Maintenance, Pipelines, Mining, Construction & Railroad Operations, Marine/Ship Building/Offshore, any other industry where welders may work

## Technical Specifications

- **Size:** 25.5" Tall x 18" Wide x 12" Deep
- **Color:** Black
- **Packaging:** Packaged Individually
- **Country of origin:** US