

METAL MAN[®]

FC 125

Item# 9002098

OPERATOR'S MANUAL



Read carefully and understand RULES FOR SAFE OPERATION and instructions before operating. Failure to follow the safety rules and other basic safety precautions may result in serious personal injury.

METAL MAN

Operating Instructions and Parts Manual

FC 125

Please read and save these instructions. Read through this owner's manual carefully before using product. Protect yourself and others by observing all safety information, warnings, and cautions. Failure to comply with instructions could result in personal injury and/or damage to product or property. Please retain instructions for future reference.

Wire Feed, Gasless Welder

Description

FC 125 portable Gasless Wire Feed Welder. Uses AC single phase 115v (110-120V), 60Hz/20amp with time delayed fuse or circuit breaker. Features two heat settings, infinite wire speed control, over load and thermal protection.

Ideal for use welding mild steel 18 gauge to 3/16" for light industrial applications (for use with **Flux Core wire** only).



Specifications and Dimension

DESCRIPTION	SPECIFICATION
Power supply	1ph-115V-60HZ
No-load voltage	27V
Output Range	60-80A (Peak 125A)
Duty cycle	20%
Suggested wire	Flux Core wire
Wire Diameter	.030", .035"
Dimension (L x W x H)	17.7"x9.3"x14.3"
Weight	38 lbs

Removing from carton

- 1.1 Remove cartons, bags or Styrofoam containing the welder and accessories.
- 1.2 Check the contents with the packing list below.

ITEM	QTY.
Portable Wire Feed Welder	1 unit
Contact tip, .030"	2pc
Large spool adapter	1pc
Chipping hammer/ wire brush	1pc
Operator's Manual	1set

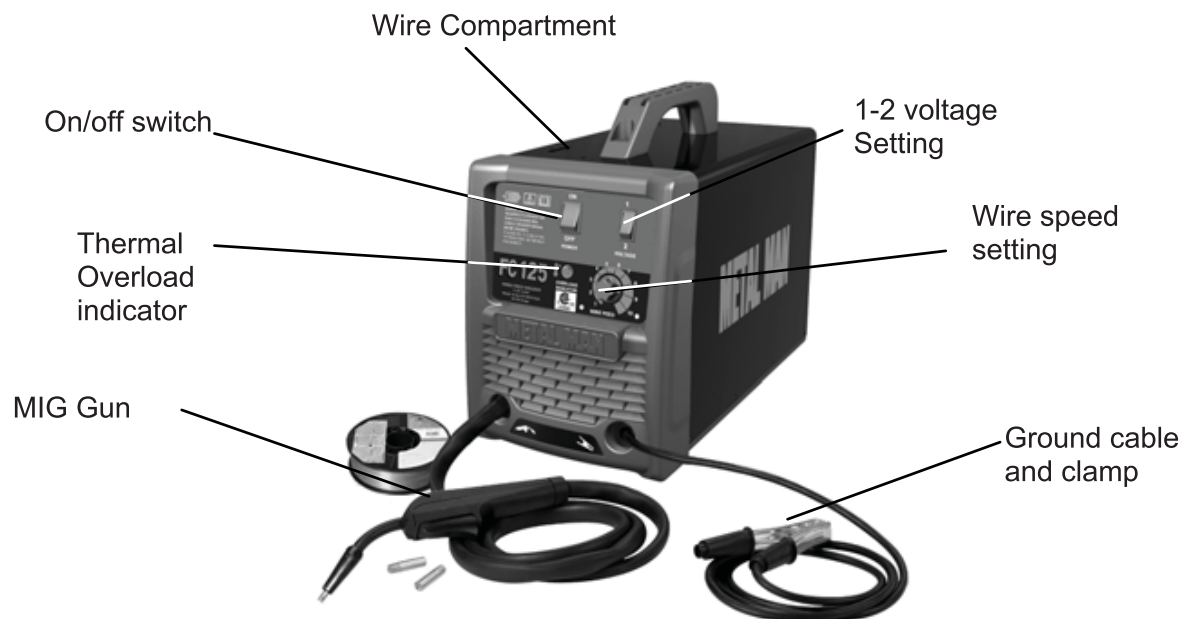
METAL MAN

Operating Instructions and Parts Manual

Wire Feed, Gasless Welder

1.3 After unpacking unit, inspect for any damage that may have occurred during transit. Check for loose, missing, or damaged parts. Shipping damage claim must be filed with carrier.

Know your Welder



ON/OFF Switch

In the "OFF" position no power is being supplied to the MIG gun/torch. In the "ON" position power is supplied to the main transformer and control circuit

Wire compartment

Inside the wire compartment are the wire feeder, spool hub, and set up chart.

1-2 Voltage Setting

1 (low), 2 (high) voltage switch is on the front panel of the machine, Refer to the "set up" chart inside the wire feed compartment for initial adjustment settings.

Wire speed setting

Adjustment of the wire feed speed (amperage).

Ground cable and clamp

The ground cable and clamp are attached to the work piece to complete the circuit allowing the flow of current needed to weld.

Welding Cable and MIG gun/torch

The welding wire is driven through the welding cable and MIG gun/torch to the work piece. It is attached to the drive system, the gun trigger activates the drive motor.

Thermal Indicator

If the duty cycle of the welder is exceeded the internal temperature will exceed safe temperatures the machine will shut down and the thermal overload light will come on. Allow 15 minutes for cool down before the light will go off and the temperature to fall into an allowable operating range.

Power Cord

Wire Feed, Gasless Welder

The power cord connects the welder to the 115 volt power supply. Plug the 15 amp plug into a 115 volt/20 amp receptacle to supply power to the welder.

General Safety Information

1.1 Your Welding Environment

- Keep the environment you will be welding in free from flammable materials.
- Always keep a fire extinguisher accessible to your welding environment.
- Always have a qualified person install and operate this equipment.
- Make sure the area is clean, dry and ventilated. Do not operate the welder in humid, wet or poorly ventilated areas.
- Always have your welder maintained by a qualified technician in accordance with local, state and national codes.
- Always be aware of your work environment. Be sure to keep other people, especially children, away from you while welding.
- Keep harmful arc rays shielded from the view of others.
- Mount the welder on a secure bench or cart that will keep the welder secure and prevent it from tipping over or falling.

1.2 Your Welder's Condition

- Check ground cable, power cord and welding cable to be sure the insulation is not damaged. Always replace or repair damaged components before using the welder.
- Check all components to ensure they are clean and in good operating condition before use.

1.3 Use of Your Welder

▲ CAUTION

Do not operate the welder if the output cable, electrode, MIG gun,

- wire or wire feed system is wet. Do not immerse them in water. These components and the welder must be completely dry before attempting to use the welder.
- Follow the instructions in this manual.
 - Keep welder in the off position when not in use.
 - Connect ground lead as close to the area being welded as possible to ensure a good ground.
 - Do not allow any body part to come in contact with the welding wire if you are in contact with the material being welded, ground or electrode from another welder.
 - Do not weld if you are in an awkward position. Always have a secure stance while welding to prevent accidents. Wear a safety harness if working above ground.
 - Do not drape cables over or around your body.
 - Wear a full coverage helmet with appropriate shade lens (see ANSI Z87.1 safety standard) and safety glasses while welding.
 - Wear proper gloves and protective clothing to prevent your skin from being exposed to hot metals, UV and IR rays.
 - Do not overuse or overheat your welder. Allow proper cooling time between duty cycles.
 - Keep hands and fingers away from moving parts and stay away from the drive rolls.
 - Do not point MIG gun at any body part of yourself or anyone else.

METAL MAN

Operating Instructions and Parts Manual

Wire Feed, Gasless Welder

-Always use this welder in the rated duty cycle to prevent excessive heat and failure.

1.4 Specific Areas of Danger, Caution or Warning



Electrical Shock

▲ WARNING

Electric arc welders can produce a shock that can cause injury or

death. Touching electrically live parts can cause fatal shocks and severe burns. While welding, all metal components connected to the wire are electrically hot. Poor ground connections are a hazard, so secure the ground lead before welding.

-Wear dry protective apparel: coat, shirt, gloves and insulated footwear.
-Insulate yourself from the work piece. Avoid contacting the work piece or ground.

- Do not attempt to repair or maintain the welder while the power is on.

-Inspect all cables and cords for any exposed wire and replace damaged or worn cables immediately.

-Use recommended replacement cables and cords.

-Always attach ground clamp to the work piece or work table as close to the weld area as possible.

-Do not touch the welding wire and the ground or grounded work piece at the same time.

-Do not use a welder to thaw frozen pipes.



Fumes and Gases

▲ WARNING

-Fumes emitted from the welding process displace clean air and can result in

injury or death.

-Do not breathe in fumes emitted by the welding process. Make sure your breathing air is clean and safe.

-Work only in a well-ventilated area or use a ventilation device to remove welding fumes from the environment where you will be working.

-Do not weld on coated materials (galvanized, cadmium plated or containing zinc, mercury or barium). They will emit harmful fumes that are dangerous to breathe. If necessary use a ventilator, respirator with air supply or remove the coating from the material in the weld area.

-The fumes emitted from some metals when heated are extremely toxic. Refer to the material safety data sheet for the manufacturer's instructions.

-Do not weld near materials that will emit toxic fumes when heated. Vapors from cleaners, sprays and degreasers can be highly toxic when heated.



UV and IR Arc Rays

▲ DANGER

The welding arc produces ultraviolet (UV) and infrared (IR) rays

that can cause injury to your eyes and skin. Do not look at the welding arc without proper eye protection.

-Always use a helmet that covers your full face from the neck to top of head and to the back of each ear.

-Use a lens that meets ANSI standards and safety glasses. For welders under 160 Amps output, use a shade 10 lens; for above 160 Amps, use a shade 12. Refer to the ANSI standard Z87.1 for more information.

-Cover all bare skin areas exposed to the arc with protective clothing and

Wire Feed, Gasless Welder

shoes. Flame-retardant cloth or leather shirts, coats, pants or coveralls are available for protection.

-Use screens or other barriers to protect other people from the arc rays emitted from your welding.

-Warn people in your welding area when you are going to strike an arc so they can protect themselves.



Fire Hazards

▲ WARNING

Do not weld on containers or pipes that contain or have had flammable,

gaseous or liquid combustibles in them. Welding creates sparks and heat that can ignite flammable and explosive materials.

-Do not operate any electric arc welder in areas where flammable or explosive materials are present.

-Remove all flammable materials within 35 feet of the welding arc. If removal is not possible, tightly cover them with fireproof covers.

-Take precautions to ensure that flying sparks do not cause fires or explosions in hidden areas, cracks or areas you cannot see.

-Keep a fire extinguisher close in the case of fire.

-Wear garments that are oil-free with no pockets or cuffs that will collect sparks.

-Do not have on your person any items that are combustible, such as lighters or matches.

-Keep work lead connected as close to the weld area as possible to prevent any unknown, unintended paths of electrical current from causing electrical shock and fire hazards.

-To prevent any unintended arcs, cut wire back to ¼" stick out after welding.



Hot Materials

▲ CAUTION

Welded materials are hot and can cause severe burns if handled

improperly.

-Do not touch welded materials with bare hands.

-Do not touch MIG gun nozzle after welding until it has had time to cool down.



Sparks/Flying Debris

▲ CAUTION

Welding creates hot sparks that can cause injury. Chipping slag off welds creates flying debris.

-Wear protective apparel at all times: ANSI-approved safety glasses or shield, welder's hat and ear plugs to keep sparks out of ears and hair.



Electromagnetic Field

▲ CAUTION

-Electromagnetic fields can interfere with various electrical and electronic devices such as pacemakers.

-Consult your doctor before using any electric arc welder or cutting device

-Keep people with pacemakers away from your welding area when welding.

-Do not wrap cable around your body while welding.

-Wrap MIG gun and ground cable together whenever possible.

-Keep MIG gun and ground cables on the same side of your body.



Shielding Gas Cylinder can explode

▲ WARNING

METAL MAN

Operating Instructions and Parts Manual

Wire Feed, Gasless Welder

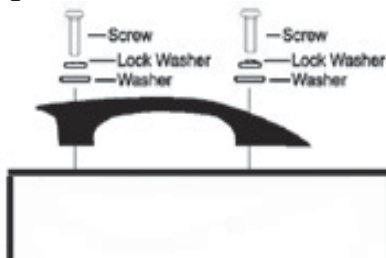
High pressure cylinders can explode if damaged, so treat them carefully.

- Never expose cylinders to high heat, sparks, open flames, mechanical shocks or arcs
- Do not touch cylinder with MIG gun.
- Do not weld on the cylinder.
- Always secure cylinder upright to a cart or stationary object cart or stationary object
- Do not touch cylinder with MIG gun.
- Do not weld on the cylinder.
- Always secure cylinder upright to a cart or stationary object.
- Keep cylinders away from welding or electrical circuits.
- Use the proper regulators, gas hose and fittings for the specific application

Assembly

INSTALLING THE HANDLE

1. Line up the holes in the handles with the holes on the top of the welder.
- 2 Place a lock washer then a washer onto the welder handle screws.
- 3 Insert the screws with the washers through the holes on the welder handle and into the top of the welder and tighten.



MIG gun/torch assembled, some assembly required for ground cable.

Installation

1. Power requirement

AC single phase 115v (110-120V), 60HZ fused with a 20amp time

delayed fuse or circuit breaker is required. DO NOT OPERATE THIS UNIT if the ACTUAL power source voltage is less than 105 volts ac or greater than 132 volts ac.

▲ WARNING

- **High voltage danger from power source! Consult a qualified electrician for proper installation of receptacle. This welder must be grounded while in use to protect the operator from electrical shock.**
- **Do not remove grounding prong or alter the plug in any way. Do not use any adapters between the welder's power cord and the power source receptacle. Make sure the POWER switch is OFF when connecting your welder's power cord to a properly grounded 115 VAC, 60Hz, 1 phase, 20 amp input power supply.**

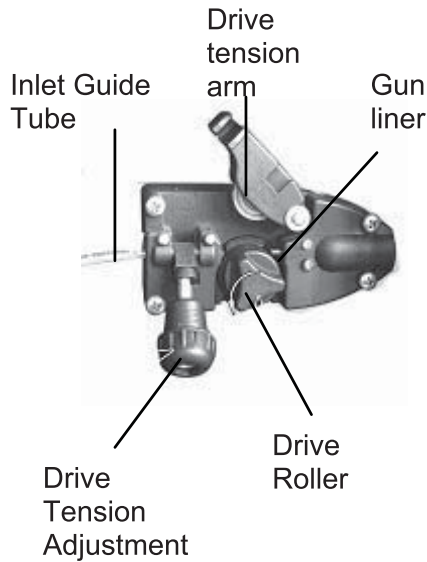
2. Extension cord

We do not recommend an extension cord because of the voltage drop they produce. This drop in voltage can affect the performance of the welder. If you need to use an extension cord it must be a size #12 gauge or larger. Do not use an extension cord over 25 ft. in length.

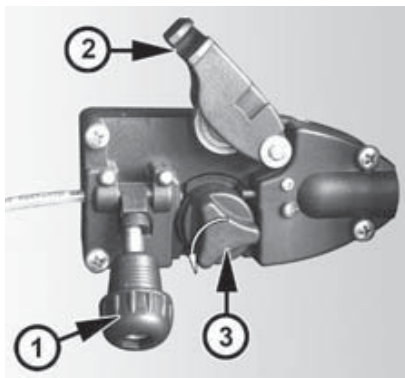
3. Install the wire roller

Open the wire feed compartment. Before installing any welding wire into the unit, the proper sized groove must be placed into position on the wire drive mechanism. Adjust the drive roller according to the following steps, see following picture about the wire feeder structure:

Wire Feed, Gasless Welder

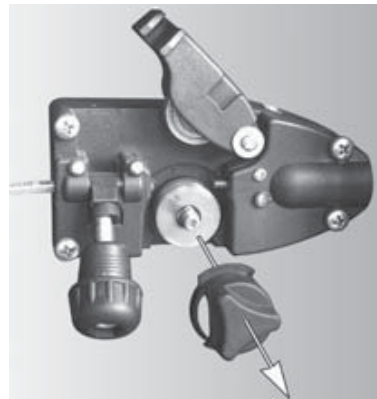


- 3.1. Open the door to the welder drive compartment.
- 3.2. Remove the drive tension (see 1) by loosening the tension adjusting knob and lifting the Drive Tension Adjustor away from the Drive Tension Arm (see 2). Lift the drive tension arm away from the drive roller (see 3). See following images for reference

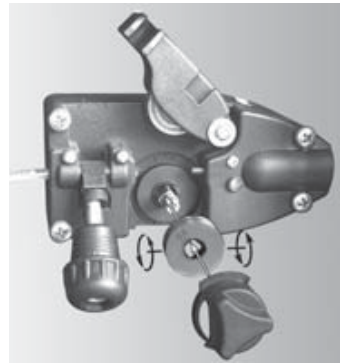


- 3.3. If there is wire already installed in the welder, roll it back onto the wire spool by hand-turning the spool clockwise. Be careful not to allow the wire to come out of the rear end of the inlet guide tube without holding onto it or it will unspool itself. Put the end of the wire into the hole on the

- outside edge of the wire spool and bend it over to hold the wire in place. Remove the spool of wire from the drive compartment of the welder.
- 3.4. Rotate the Drive Roller Cap counterclockwise and remove it from the Drive Roller.



- 3.5. Pull the Drive Roller off of the Drive Roller Shaft.



- 3.6 Based on the wire diameter, select the correct groove using the following table.

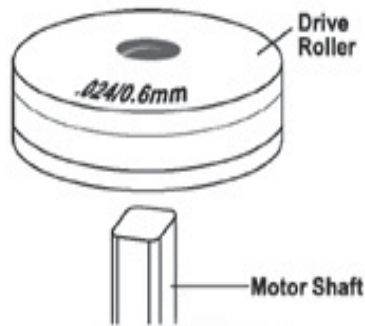
Wire Diameter	Roller Groove
.030 inch	0.8
.035 inch	0.9

- The drive roller has two wire size grooves built into it. When installing the drive roller, the number stamped on the drive roller for the wire size you are using should be facing you. Push the drive roller onto the drive roller shaft.

METAL MAN

Operating Instructions and Parts Manual

Wire Feed, Gasless Welder



3.7. Reinstall the Drive Roller Cap and lock in place by turning it clockwise.

3.8. Close the door to the welder drive compartment.

4. Install the wire

4.1 Selecting the wire

Available wire for this machine

Wire Type	Available or not
MIG wire	No
Flux Core wire 0.030 inch	Yes
Flux Core wire 0.035 inch	Yes

Both four inch or eight inch wire spools of .030 inch or .035 inch self shielding Flux-Core wire can be used on this welder. Steel from 18 gauge up to 3/16 inch thick can be welded with this wire.

NOTE:

- Metal thinner than 18 gauge cannot be welded with this machine. Attempting to do so will cause burn through in the metal you are intending to weld.
- Remove any wire that is rusty, if the whole spool is rusty discard it.

4.2 Install the wire

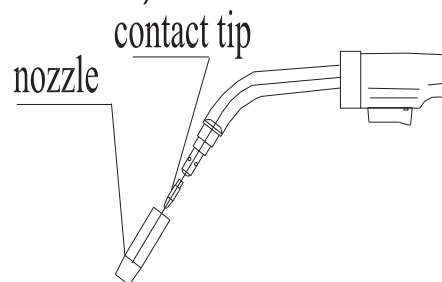
▲ WARNING

Electric shock can kill! Always turn the POWER switch OFF and unplug the power cord from the ac power source before installing wire.

NOTE:

- Before installing, make sure that you have removed any old wire from the MIG gun Assembly. This will help to prevent the possibility of the wire jamming inside the gun Liner.
- Be very careful when removing the welding nozzle. The contact tip on this welder is live whenever the torch trigger is pulled. Make certain POWER is turned OFF.

4.2.1 Remove the nozzle and contact tip from the end of the torch assembly (See below).

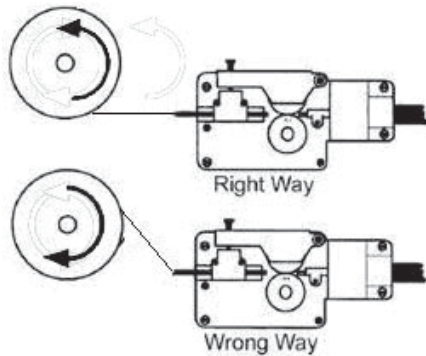


4.2.2 Make sure the proper groove on the drive roller is in place for the wire installed. If not, change the drive roller as described in section. 3 above.

4.2.3 Remove the packaging from the spool of wire and then identify the leading end of the wire secured on the edge of the spool. DO NOT UNHOOK IT AT THIS TIME.

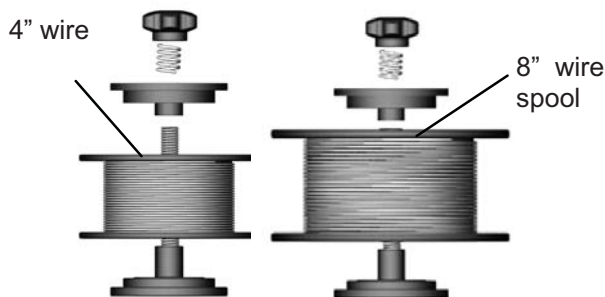
4.2.4 Place the spool on the spool hub with the wire coming off the bottom of the spool. The welding wire should always come off the bottom of the spool into the drive mechanism. See following figure.

Wire Feed, Gasless Welder



Wire Installation

4.2.5 The welder can use either 4" or 8" spools, see the following figure for additional reference. 8" spool requires an adaptor. The wing nut controls the tension on the spool.



4.2.6. Setting the wire spool tension:
a) Turn the spool of wire with one hand.
b) Increase the spool tension by tightening (turn clockwise) the wing nut while turning the spool. Turn the spool while tightening the wing nut until the spool slows down and operator feels a slight drag. Stop tightening the wing nut, operator may need to repeat these steps until proper spool tension is achieved.

NOTE:

If TOO MUCH tension is applied to the wire spool, the wire will slip on the drive roller or will not be able to feed at all. If TOO LITTLE tension is applied, the spool of wire will want to

unspool itself when the trigger is released. Readjust the spool tension using the wing nut as necessary to correct for either problem.

4.2.7. With the welder disconnected from the power source, remove the leading end of the wire from the spool. Hold on to it securely, so as not to allow unspooling or tangling of the wire as it will result in tangled wire and lost time.

4.2.8. Cut off any bent portion of the wire using a wire cutter.

4.2.9. Loosen the tension adjusting knob holding the drive tension arm in place and lift the tension arm up off the drive roller.

4.2.10. Insert the wire into the inlet guide tube, feed it across the drive roller and into the torch assembly about six inches.

▲ CAUTION

• ***Make certain that the welding wire is actually going into the torch liner. If not, the wire will jam up in the mechanism.***

4.2.11 Line the wire up with the correct groove in the drive roller. Place the drive tension arm back above the drive roller.

4.2.12 Place the drive tension adjustment arm back in place.

4.2.13 Tighten (turn clockwise) the drive tension adjusting knob until the tension roller is applying enough force on the wire to prevent it from slipping in the drive rollers.

4.2.14. NOW YOU-CAN LET GO OF THE WIRE.

4.2.15. Plug in and turn the welder ON. Set the VOLTAGE switch to the voltage (heat) setting recommended for the gauge metal that is to be

Wire Feed, Gasless Welder

welded. Refer to the set up chart on the back side of the drive compartment door.

CAUTION:

The welding wire is electrically hot when the power is on and the MIG gun trigger is activated.

4.2.16. Set the WIRE SPEED control to the middle of the wire speed range.

4.2.17. Straighten the MIG gun cable and pull the trigger in the gun handle to feed the wire through the torch assembly. When at least one inch of the wire sticks out past the end of the torch, release the trigger.

4.2.18 Turn the Power Switch to the OFF position.

4.2.19 Select a contact tip stamped with the same diameter as the wire being used.

NOTE:

Due to inherent variances in Flux-Cored welding wire, it may be necessary to use a contact tip one size larger than your Flux Core wire if wire jams occur.

4.2.20. Slide the contact tip over the wire (protruding from the end of the MIG gun). Thread the contact tip into the end of the gun and hand-tighten securely.

4.2.21. Install the nozzle on the gun assembly. To keep spatter from sticking to inside of the nozzle use anti-spatter spray or gel.

4.2.22 Cut off excess wire that extends past the end of the nozzle more than ¼”.

4.2.23. Turn the welder ON

5. Setting the wire tension

▲ WARNING

Arc flash can injure eyes! To reduce the risk of arc flash, make

certain that the wire coming out of the end of the torch does not come in contact with work piece, ground clamp or any grounded material during the drive tension setting process or arcing will occur.

5.1. Press the trigger on the gun.

5.2. Turn the drive tension adjustment knob clockwise, increasing the drive tension until the wire seems to feed smoothly without slipping.

Operation

▲ WARNING

High voltage danger from power source! Consult a qualified electrician for proper installation of receptacle at the power source. This welder must be grounded while in use to protect the operator from electrical shock. If you are not sure if your outlet is properly grounded, have it checked by a qualified electrician. Do not cut off the grounding prong or alter the plug in any way and do not use any adapters between the welder's power cord and the power source receptacle. Make sure the POWER switch is OFF then connect your welder's power cord to a properly grounded 115 Vac (110v-120v), 60Hz, single phase, 20 amp power source.

1. Main control component

Power switch - The power switch supplies electrical current to the welder. Whenever the power switch is in the ON position, the welding circuit is activated. ALWAYS turn the power switch to the OFF position and unplug the welder before performing any maintenance.

Wire Feed, Gasless Welder

Voltage selector - The voltage selector controls the welding heat. This unit has two step voltage control. Refer to the label inside the welder side door for recommended voltage selector settings for your welding job.

Wire speed control - The wire speed control adjusts the speed at which the wire is fed out of the welding torch. The wire speed needs to be closely matched (tuned-in) to the rate at which it is being melted off. Some things that affect wire speed selection are the type and diameter of the wire being used, the heat setting selected, and the welding position to be used. Note: The wire will feed faster without an arc. When an arc is being drawn, the wire speed will slow down.

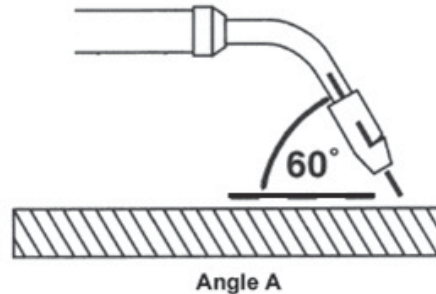
2. Hold the torch (MIG gun)

The best way to hold the welding torch is the way that feels most comfortable to you. While practicing to use your new welder, experiment holding the torch in different positions until you find the one that seems to work best for you.

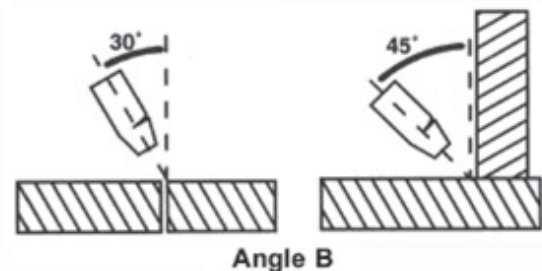
3. Position the torch to the work piece

There are two angles of the torch nozzle in relation to the work piece that must be considered when welding.

3.1. Angle A can be varied, but in most cases the optimum angle will be 60 degrees, the point at which the torch handle is parallel to the work piece. If angle A is increased, penetration will increase. If angle A is decreased, penetration will decrease also.



3.2. Angle B can be varied for two reasons: to improve the ability to see the arc in relation to the weld puddle and to direct the force of the arc.



4. Distance from the work piece

If the nozzle is held off the work piece, the distance between the nozzle and the work piece should be kept constant and should not exceed 1/4 inch or the arc may begin sputtering, signaling a loss in welding performance.

5. Tuning in the wire speed

This is one of the most important parts of MIG welder operation and must be done before starting each welding job or whenever any of the following variables are changed: heat setting, wire diameter, or wire type.

▲ WARNING

EXPOSURE TO ▲ WELDING ARC IS EXTREMELY HARMFUL TO THE EYES AND SKIN!

Prolonged exposure to the welding arc can cause blindness and burns. Never strike an arc or begin welding until you are adequately

Wire Feed, Gasless Welder

protected. Wear flameproof welding gloves, a heavy long sleeved shirt, trousers with out cuffs, high topped shoes, and an ANSI approved welding helmet.

5.1. Connect the Ground Clamp to a scrap piece of the same type of material which you will be welding. It should be equal to or greater than the thickness of the actual work piece, and free of oil, paint, rust, etc.

5.2. Select a heat setting.

5.3. Hold the torch in one hand, allowing the nozzle to rest on the edge of the work piece farthest away from you, and at an angle similar to that which will be used when welding. (See HOLDING THE TORCH if you are uncertain of the angle at which you will be welding).

5.4. With your free hand, turn the Wire Speed Dial to maximum and continue to hold onto the knob.

5.5. Lower your welding helmet and pull the trigger on the torch to start an arc, then begin to drag the torch toward you while simultaneously turning the Wire Speed Dial counter-clockwise.

5.6. LISTEN! As you decrease the wire speed, the sound that the arc makes will change from a sputtering to a high-pitched buzzing sound and then will begin sputtering again if you decrease the wire speed too much. The point on the wire speed adjustment where the high-pitched buzzing sound is achieved is the correct setting. You can use the wire speed control to slightly increase or decrease the heat and penetration for a given heat setting by selecting higher or lower wire speed settings. Repeat this tune-in procedure if you select a new heat setting, a different

diameter wire, or a different type of welding wire.

6. Welding Techniques

▲ WARNING

EXPOSURE TO A WELDING ARC IS EXTREMELY HARMFUL TO THE EYES AND SKIN! Prolonged exposure to the welding arc can cause blindness and burns. Never strike an arc or begin welding until you are adequately protected.

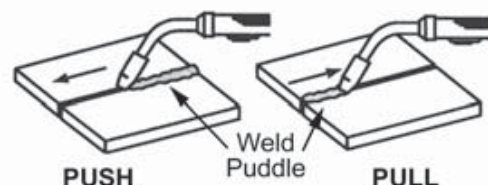
Wear flameproof welding gloves, a heavy long sleeved shirt, trousers with out cuffs, high topped shoes and an ANSI approved welding helmet.

ELECTRIC SHOCK CAN KILL! To prevent ELECTRIC SHOCK, do not perform any welding while standing, kneeling, or lying directly on the grounded work.

6.1 Moving the torch

Torch travel refers to the movement of the torch along the weld joint and is broken into two elements: Direction and Speed. A solid weld bead requires that the welding torch be moved steadily and at the right speed along the weld joint. Moving the torch too fast, too slow, or erratically will prevent proper fusion or create a lumpy, uneven bead.

Travel direction is the direction the torch is moved along the weld joint in relation to the weld puddle. The torch is either PUSHED into the weld puddle or PULLED away from the weld puddle.



Wire Feed, Gasless Welder

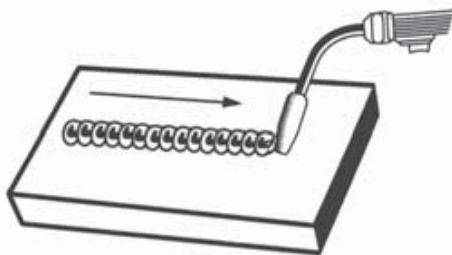
For most welding jobs you will pull the torch along the weld joint to take advantage of the greater weld puddle visibility.

Travel speed is the rate at which the torch is being pushed or pulled along the weld joint. For a fixed heat setting, the faster the travel speed, the lower the penetration and the lower and narrower the finished weld bead. Likewise, the slower the travel speed, the deeper the penetration and the higher and wider the finished weld bead.

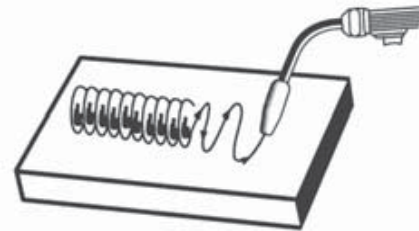
6.2 Types of welding beads

As you become more familiar with your new welder and better at laying some simple weld beads, you can begin to try some different weld bead types.

The **STRINGER BEAD** is formed by traveling with the torch in a straight line while keeping the wire and nozzle centered over the weld joint. See following figure.

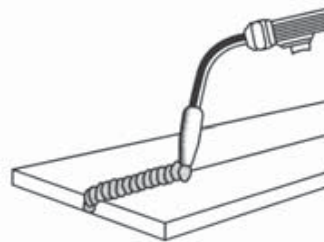


The **WEAVE BEAD** Used when you want to deposit metal over a wider space than would be possible with a stringer bead. It is made by weaving from side to side while moving with the torch. It is best to hesitate momentarily at each side before weaving back the other way.



6.3 Welding position

FLAT POSITION is easiest of the welding positions and is most commonly used. It is best if you can weld in the flat position if at all possible as good results are easier to achieve.



HORIZONTAL POSITION is performed very much the same as the flat weld except that angle B (see **HOLDING THE TORCH**) is such that the wire, directed more toward the metal above the weld joint is to help prevent the weld puddle from running downward while still allowing slow enough travel speed. A good starting point for angle B is about 30 degrees **DOWN** from being perpendicular to the work piece.



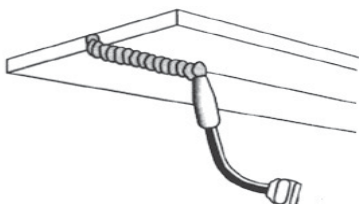
VERTICAL POSITION It is easier for many people to Pull the torch from top to bottom. It can be difficult to prevent the puddle from running downward. Pushing the torch from

Wire Feed, Gasless Welder

bottom to top may provide better puddle control and allow slower rates of travel speed to achieve deeper penetration. When vertical welding, angle B (see HOLDING THE TORCH) is usually always kept at zero, but angle A will generally range from 45 to 60 degrees to provide better puddle control.

OVERHEAD POSITION Is the most difficult welding position. Angle A (see HOLDING THE TORCH) should be maintained at 60 degrees.

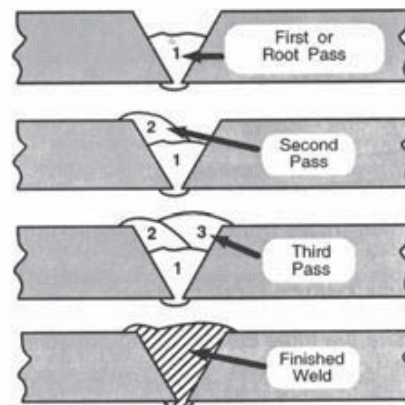
Maintaining this angle will reduce the chances of molten metal falling into the nozzle. Angle B should be held at zero degrees so that the wire is aiming directly into the weld joint. If you experience excessive dripping of the weld puddle, select a lower heat setting. Also, the weave bead tends to work better than the stringer.



6.4 Multiple pass welding

Butt Weld Joints When butt welding thicker materials, you will need to prepare the edges of the material to be joined by grinding a bevel on the edge of one or both pieces of the metal being joined. When this is done, a “V” is created between the two pieces of metal, that will have to be welded closed. In most cases more than one pass or bead will need to be laid into the joint to close the “V”. Laying more than one bead into the same weld joint is known as a multiple-pass weld.

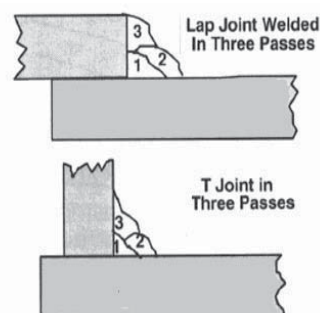
The illustrations in following figure show the sequence for laying multiple pass beads into a single “V” butt joint.



NOTE:

WHEN USING SELF-SHIELDING FLUX-CORE WIRE it is very important to thoroughly chip and brush the slag off each completed weld bead before making another pass or the next pass will be of poor quality.

Fillet Weld Joints. Most fillet weld joints, on metals of moderate to heavy thickness, will require multiple pass welds to produce strong joint. The illustrations in Figure 19 show the sequence of laying multiple pass beads into a T fillet joint and a lap fillet joint.



6.5 Spot welding

There are three methods of spot welding: Burn-Through, Punch and Fill, and Lap. Each has advantages

Wire Feed, Gasless Welder

and disadvantages depending on the specific application as well as personal preference.



1. The BURN-THROUGH METHOD welds two overlapped pieces of metal together by burning through the top piece and into the bottom piece. With the burn-through method, larger wire diameters tend to work better than smaller diameters. Wire diameters that tend to work best, with the burn-through method are 0.035 inch self-shielding Flux-Core wire. Do not use 0.030 inch self-shielding Flux Core wires when using the burn-through method unless the metal is VERY thin or excessive filler metal build-up and minimal penetration is acceptable. Always select the HIGH heat setting with the burn-through method and tune in the wire speed prior to making a spot weld.

2. The PUNCH AND FILL METHOD produces a weld with the most finished appearance of the three spot weld methods. In this method, a hole is punched or drilled into the top piece of metal and the arc is directed through the hole to penetrate into the bottom piece. The puddle is allowed to fill up the hole leaving a spot weld that is smooth and flush with the surface of the top piece. Select the wire diameter, heat setting, and tune in the wire speed as if you were welding the same thickness material with a continuous bead.

3. The LAP SPOT METHOD directs the welding arc to penetrate the bottom and top pieces, at the same time, right along each side of the lap joint seam. Select the wire diameter, heat setting, and tune in the wire speed as if you were welding the same thickness material with a continuous bead.

6.6 SPOT WELDING INSTRUCTIONS

1. Select the wire diameter and heat setting recommended above for the method of spot welding you intend to use.
2. Tune in the wire speed as if you were going to make a continuous weld.
3. Hold the nozzle piece completely perpendicular to and about 1/4 inch off the work piece.
4. Pull the trigger on the torch and release it when it appears that the desired penetration has been achieved.
5. Make practice spot welds on scrap metal, varying the length of time you hold the trigger, until a desired spot weld is made.
6. Make spot welds on the actual work piece at desired locations.

Maintenance

The welder needs the regular maintenance as following:
Periodically clean dust, dirt, grease, etc. from your welder. Every six months, or as necessary, remove the cover panel from the welder and air-blow any dust and dirt that may have accumulated inside the welder. Replace power cord, ground cable, ground clamp, or electrode assembly when damaged or worn.

METAL MAN

Operating Instructions and Parts Manual

Wire Feed, Gasless Welder

MINOR AND ROUTINE MAINTENANCE

Store in a clean, dry location away from corrosive gas, excess dust and high humidity. In temperatures from 10° F – 120°F and a relative humidity less than 90%.

When transporting or storing the welder after use, it is recommended to repack the product as it was received for protection. (Cleaning is required before storage and you must seal the plastic bag in the box for storage)

Trouble shooting Chart

Symptom (s)	Possible Causes(s)	Corrective Action(s)
Welder does not work when the main switch is turned on	1.No power input 2. Power cord or power plug is broken 3.Main switch is broken 4.Transformer is broken	1.Check circuit or fuse of power source 2.Replace power cord 3.Replace switch 4.Replace transformer
Will not weld	1.Incorrect power input 2.Inadequate current at output 3.Poor connection of output cable 4. Dirty surfaces 5. Wrong welding wire	1.Check the power source 2.Check for proper grounding to the work piece. 3.Check output connection 4. Clean surfaces 5. Use correct wire
Blown fuse or tripped circuit breaker	Inadequate fuse or circuit breaker	Check the fuse in power source should be 20amp
Arc is hard to start	1. Wrong welding wire 2. Base metal not grounded reliable	1.Use correct one 2.Make sure the connection is good
Inconsistent arc or wire feed	1. Not enough drive roller pressure 2. Spool hub tension too tight or loose 3. Contact tip worn or wrong size 4. Rusty or corroded wire	1. Tighten the drive tension adjustor on wire feeder 2. Adjust the wing nut on the spool holder 3. Replace contact tip 4. Replace wire.
Misc		Northern 800#

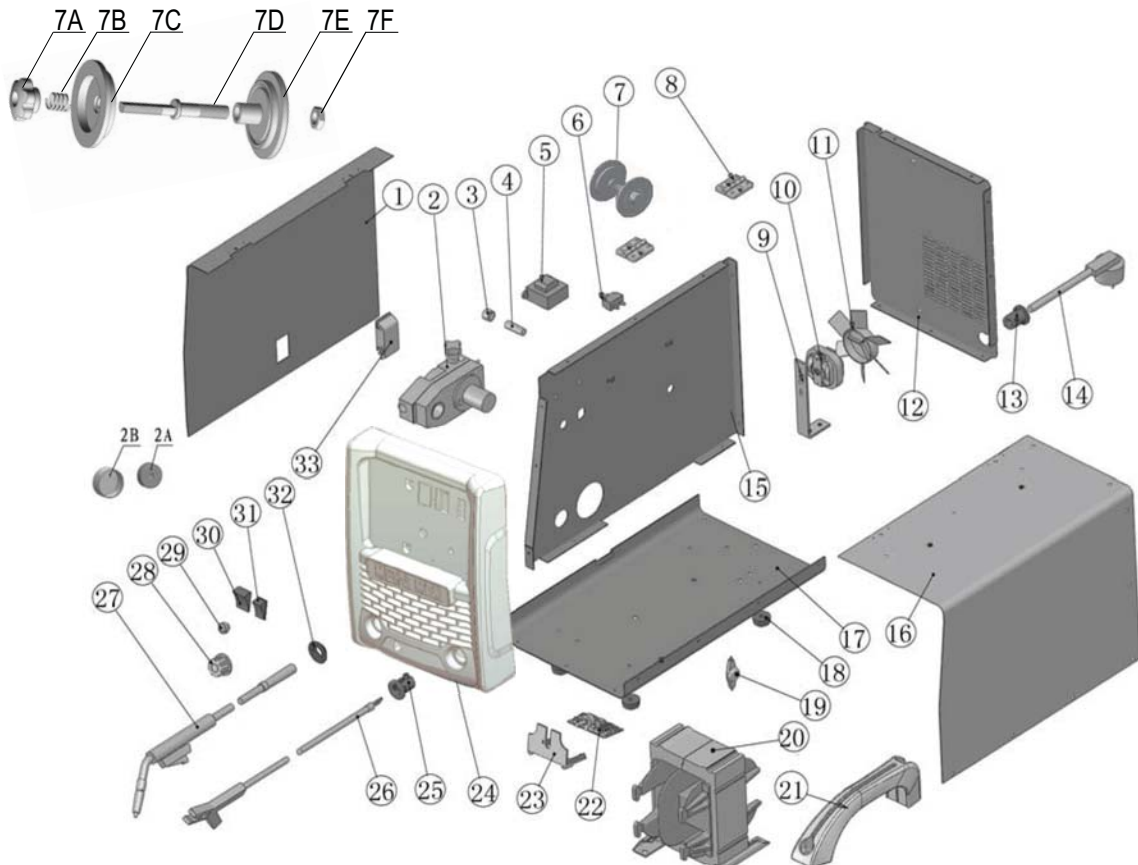
Please provide the following:

- Model Number
- Serial Number (if any)
- Part description and number as shown on parts list

METAL MAN

Operating Instructions and Parts Manual

Wire Feed, Gasless Welder



Repair Parts List

Reference number	Description	Part number	Qty
1	Left panel	1.1.01.02.8405	1
2	Wire feeder	2.07.40.370	1
2A	Drive roller	2.07.40.696-R	1
2B	Roller cover	2.20.09.601	1
3	Fuse holder	2.07.52.005	1
4	Fuse	2.07.52.014	1
5	Control Transformer	1.2.07.02.0036	1
6	Circuit breaker	2.07.80.301	1
7	Spool holder	1.2.01.01.0538	1
7A	Adjusting nut	2.05.05.307	1
7B	Spring	2.06.29.037	1

METAL MAN

Operating Instructions and Parts Manual

Wire Feed, Gasless Welder

7C	Holder end	2.05.05.306	1
7D	Bolt	2.05.05.308	1
7E	Holder	2.05.05.305	1
7F	Hex nut	2.06.14.102	1
8	Plastic hinge	2.05.05.064	2
9	Fan bracket	1.1.02.01.0609	1
10	Fan motor	1.2.07.02.0027	1
11	Fan blade	2.07.89.707	1
12	Back panel	1.1.01.03.0704	1
13	Cable holder	2.05.05.201	1
14	Power cord	1.2.07.01.0050	1
15	Vertical Middle panel	1.1.01.03.0703	1
16	Right panel	1.1.01.02.0280	1
17	Bottom	1.1.01.03.0705	1
18	Feet	2.05.05.016	4
19	Thermal relay	2.07.36.527	1
20	Main Transformer	1.1.04.01.0482	1
21	Handle	2.05.05.042	1
22	PCB Board	1.1.05.02.0099	1
23	PCB support	2.05.05.106	1
24	Front panel	2.05.05.073	1
25	Cable holder	2.05.05.202	1
26	Ground Cable clamp	2.20.12.943	1
27	Torch	2.20.08.824	1
28	Potentiometer Knob	2.07.11.009	1
29	Indicator	1.2.07.02.0057	1
30	Main Switch	2.07.80.211	1

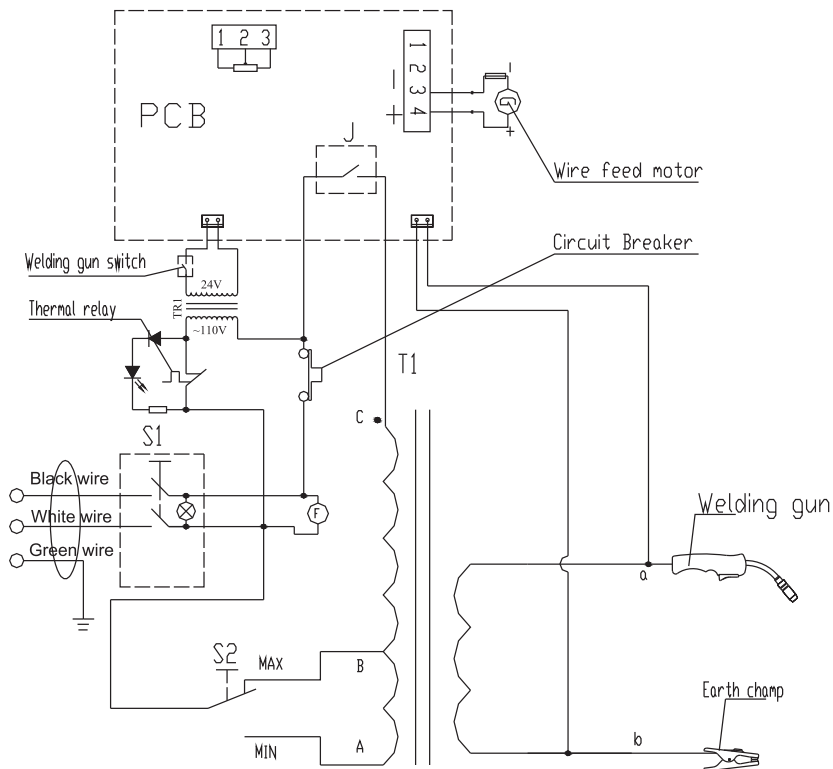
METAL MAN

Operating Instructions and Parts Manual

Wire Feed, Gasless Welder

31	Setting Switch	2.07.80.031	1
32	Cable holder	2.04.31.107	1
33	Door Bolt	2.08.07.803	1
<hr/>			
Parts			
	Contact tip adapter	2.20.08.845	1
	Inlet guide	2.07.40.696-I	1
	Flux core nozzle	2.20.04.701	1

Schematic diagram



Other Safety and Standards Information

This manual is designed to inform the operator of safety and general use of this model only. For further information about welding safety refer to the following standards and comply with them where applicable.

ANSI Standard Z49.1 — SAFETY IN WELDING AND CUTTING obtainable from: American Welding Society 550 NW Le Jeune Road, Miami, FL 33126
Tel. (800) 443-9353
Fax (305) 443-7559
www.amweld.org or www.aws.org

METAL MAN

Operating Instructions and Parts Manual

Wire Feed, Gasless Welder

ANSI Standard Z87.1 — SAFE PRACTICE
FOR OCCUPATION AND EDUCATIONAL
EYE AND FACE PROTECTION

Obtainable from: American National
Standards Institute (ANSI) 11 West 42nd
St. New York, NY 10036
Tel. (212) 642-4900
Fax (212) 398-0023 www.ansi.org

NFPA Standard 51B — CUTTING AND
WELDING PROCESS obtainable from:

National Fire Protection Association,
1 Batterymarch Park, P.O. Box 9101
Quincy, MA 02269-9101
Tel. (617) 770-3000
Fax (617) 770-0700 www.nfpa.org

OSHA Standard 29 CFR, Part 1910,
Subpart Q. —WELDING, CUTTING AND
BRAZING obtainable from your state
OSHA office or from: U. S. Dept. of Labor
OSHA, Office of Public Affairs Room
N3647, 200 Constitution Ave. NW
Washington, DC 20210 www.osha.gov

CSA Standard W117.2 — Code for
SAFETY IN WELDING AND CUTTING

Obtainable from: Canadian Standards
Association, 178 Rexdale Blvd.,
Etobicoke, Ontario M9W 1R3
www.csa.ca

American Welding Society Standard A6.0
—WELDING AND CUTTING CONTAINERS
WHICH HAVE HELD COMBUSTIBLES

Obtainable from: American
Welding Society, 550 NW Le Jeune Road
Miami, FL 33126
Tel. (800) 443-9353
Fax (305) 443-7559
www.amweld.org or www.aws.org